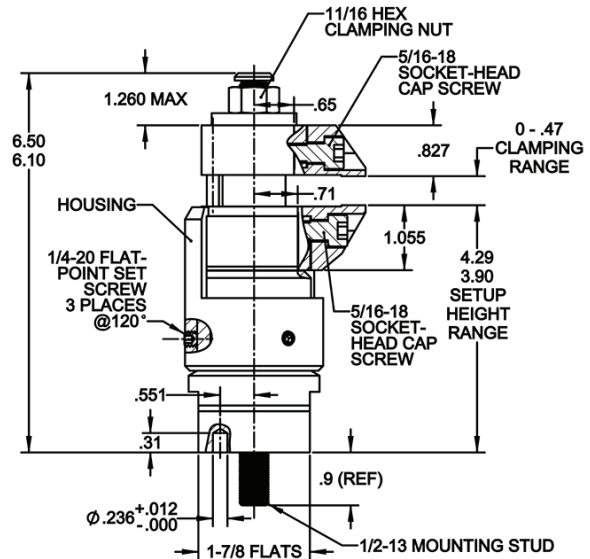
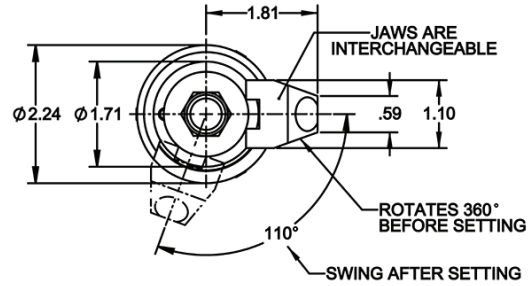


Floating Clamps from Carr Lane Manufacturing

- Bottom and top jaws work independently to clamp AND support your workpiece, regardless of size
- Adapts to a wide variety of part sizes
- Can be used on a fixture plate, a modular tooling plate or a T-slot machine plate
- Perfect for lighter weight materials like sheet metal, carbon fiber and aluminum
- Ideal for clamping forgings, ribbed or flanged castings

This is no ordinary clamp.



PART NO.	MOUNTING STUD	SUPPORT LOAD CAPACITY AT MINIMUM TIGHTENING TORQUE	SUPPORT LOAD CAPACITY AT MAXIMUM TIGHTENING TORQUE
CL-800-FLC	1/2-13	450 lbs @ 11 ft-lbs	1800 lbs @22 ft-lbs



carrlane.com 314.647.6200

Floating Clamps are position-flexible swing clamps with 110° rotation. The top jaw and bottom jaw together provide a floating clamping point that adjusts to the workpiece before locking, to prevent deformation. These combination clamp/supports are often used in conjunction with primary locators and clamps, providing additional support points to reduce machining vibration. Floating Clamps are especially useful for clamping forgings, ribbed or flanged castings, and other large parts.



Setup:

Install the clamp in a 1/2-13 threaded mounting hole by tightening using the body wrench flats. Adjust the height-limit stop and the swing range with the three setscrews in the green housing. When setting the height limit, consider the full range of workpiece tolerance.

Clamping:

To initiate clamping, push the Floating Clamp downward, then immediately swing the jaws into clamping position. The clamping jaws will automatically rise so that the bottom jaw contacts the workpiece with a light spring force. Next, tighten the top hex nut 11 ft-lbs minimum to 22 ft-lbs maximum, depending on the support load capacity desired. During the tightening process, the workpiece is clamped and simultaneously supported. Releasing is done in reverse order.

For custom applications, the standard upper clamping jaw supplied can be replaced by a special clamping jaw.

